
Optional Accessories:

HD-E712-5
IPX9K water spray force test device\$1,800

Shipment:

EXW Dongguan, China

Delivery Terms:

Shipment for the above equipments is 40 working days after mutually agreed terms and conditions of your order.

Payment:

50% advance payment and balance before delivery.

Validity:

This quote is firm for 30 days

Warranty:

One-year warranty on all parts, labor is not covered. Warranty coverage include shipment.

IPX9 Rain Test Chamber

Product description:

Water Spray Test Equipment is used to test the water resistance; which is mainly for electronic and electrical products. It can also provide references for product design and quality control.

Product image:

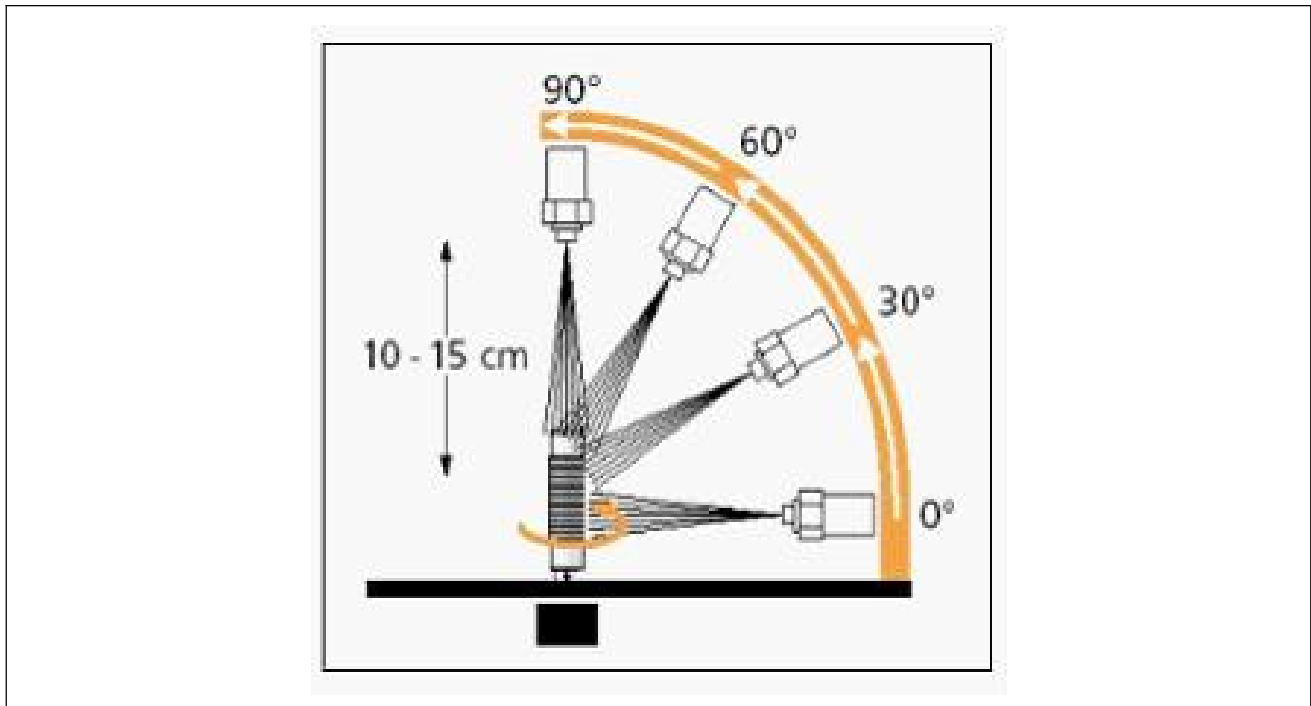


Image for reference only

Technical parameters:

Item	Specification
Internal chamber size	1000Wx1000Dx1200Hmm
External chamber size	1500Wx1200Dx2100Hmm
Spray water temperature	80°C
Spray water pressure	80~100bar (8000~10000Kpa)
Water flow	14~16L/min
Spray water distance	10~15cm
Spray water angle	0° , 30° , 60° , 90° , each angle spray for 30 seconds
Sample rotatory table	5rpm
Water spray interval time	30 seconds (adjustable)
Water cycling system	Built-in chamber bottom for recycling
Controller	PLC touch screen
Chamber material	Internal: SUS304 stainless steel, external: stainless steel
Power	AC380V, 50Hz, three phase

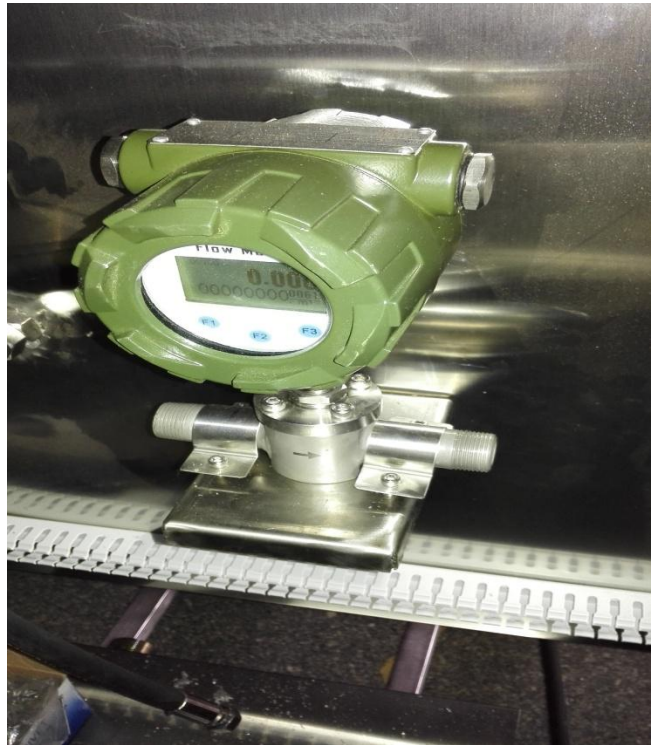
Water spray diagram:



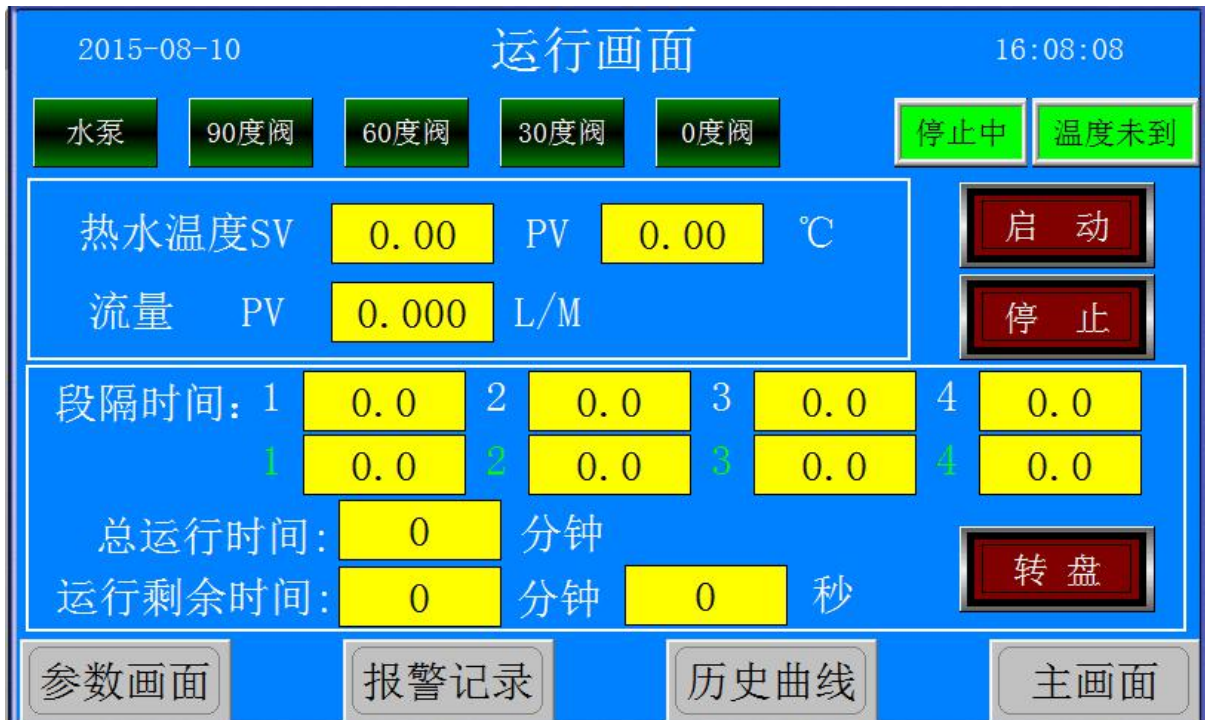
Internal chamber



Flow meter



Control interface:



The interface can be in English

Optional Accessories:

HD-E712-5

IPX9K water spray force test device **Shipment** :

EXW Dongguan, China

Delivery Terms:

Shipment for the above equipments is 40 working days after mutually agreed terms and conditions of your order.

Payment:

50% advance payment and balance before delivery.

Validity:

This quote is firm for 30 days

Warranty:

One-year warranty on all parts, labor is not covered. Warranty coverage include shipment.

How to Contact Us?

Address : 6th Floor, Rongda Building, Yuanwubian Road, Nancheng District, Dongguan, Guangdong, China (Mainland)

Factory Address : The 1st Industry area of Caibai, Daojiao Town, Dongguan City, Guangdong Province

Worktime :8:00-21:00(Beijing time)

Business Phone : 86-0769-38810298(Working time)

Fax : 86-0769-89280809Contact Person : Mr. Liang

Job Title : director

Business Phone : 18576806187

Email : sales04@gc-test.cn